

Frozen
Frozen granita, creams and soft-ice
cream dispenser with 2 bowls, UK plug

ITEM # _____

MODEL # _____

NAME # _____

SIS # _____

AIA # _____



562527 (GT2PR290)

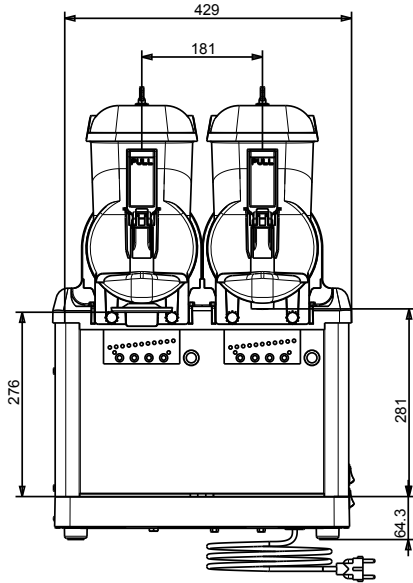
* NOT TRANSLATED *

Main Features

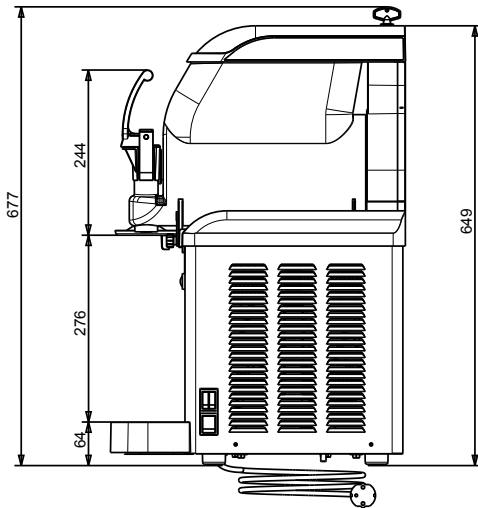
- Compact counter machine, dispensing smooth soft ice-cream, cold cream, sorbet and frozen yogurt.
- Works with water or milk/based dried products or with brik mixtures ready to be poured into the bowl.
- The ITANK™ Technology prevents ice accumulation on the outer side of the bowl.
- LED-based electronic keypad.
- Safety stop system.
- USB customizable software.
- The insulated tank guarantees higher cooling efficiency and lower effect of the external temperature on product's preparation and maintenance time reducing condense and draining; it is the best solution in hot climate conditions.
- Easy to use thanks to the adjustable push button control panel: when pressing it the rotation speed raises and the product is pushed out easily.

APPROVAL: _____

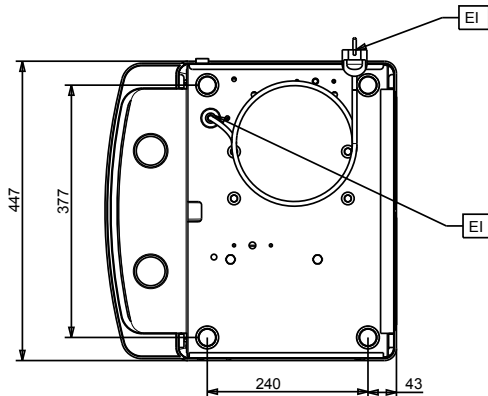
Front



Side



Top



Electric

Supply voltage:

562527 (GT2PR290) 220-240 V/1 ph/50 Hz

Electrical power max.:

0.63 kW

Key Information:

External dimensions, Width: 450 mm

External dimensions, Depth: 435 mm

External dimensions, Height: 650 mm

Net weight: 46 kg

Sustainability

Refrigerant type: R290

Refrigerant weight: 102 g